

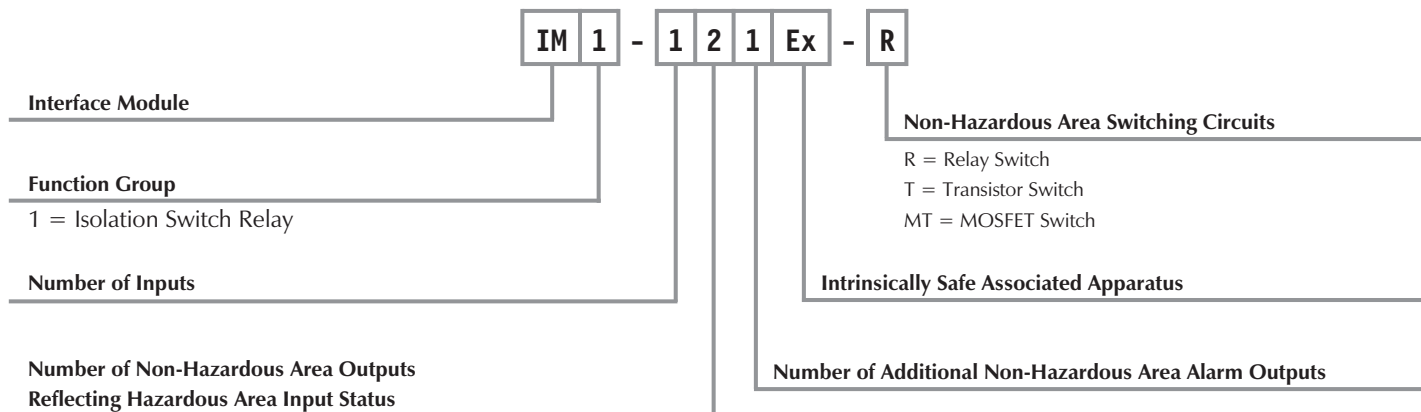
# TURCK

## Process Automation – IS Interface Technology

### Isolation Switch Relays

### Part Number Key

Part Number Keys are to assist in IDENTIFICATION ONLY. Consult factory for catalog items not identified.



#### Extension Examples:

##### IM1-121Ex-R

Isolation Switch Relay  
Interface Module  
Single Input  
Two Non-Hazardous Area Relay Switches  
One Non-Hazardous Area Alarm Switch  
Intrinsically Safe Associated Apparatus  
Relay Switch

##### IM1-22Ex-MT

Isolation Switch Relay  
Interface Module  
Two Inputs  
Two Non-Hazardous Area Relay Switches  
Intrinsically Safe Associated Apparatus  
MOSFET Switch

##### IM1-451Ex-T

Isolation Switch Relay  
Interface Module  
Four Inputs  
Five Non-Hazardous Area Relay Switches  
One Non-Hazardous Area Alarm Switch  
Intrinsically Safe Associated Apparatus  
Transistor Switch